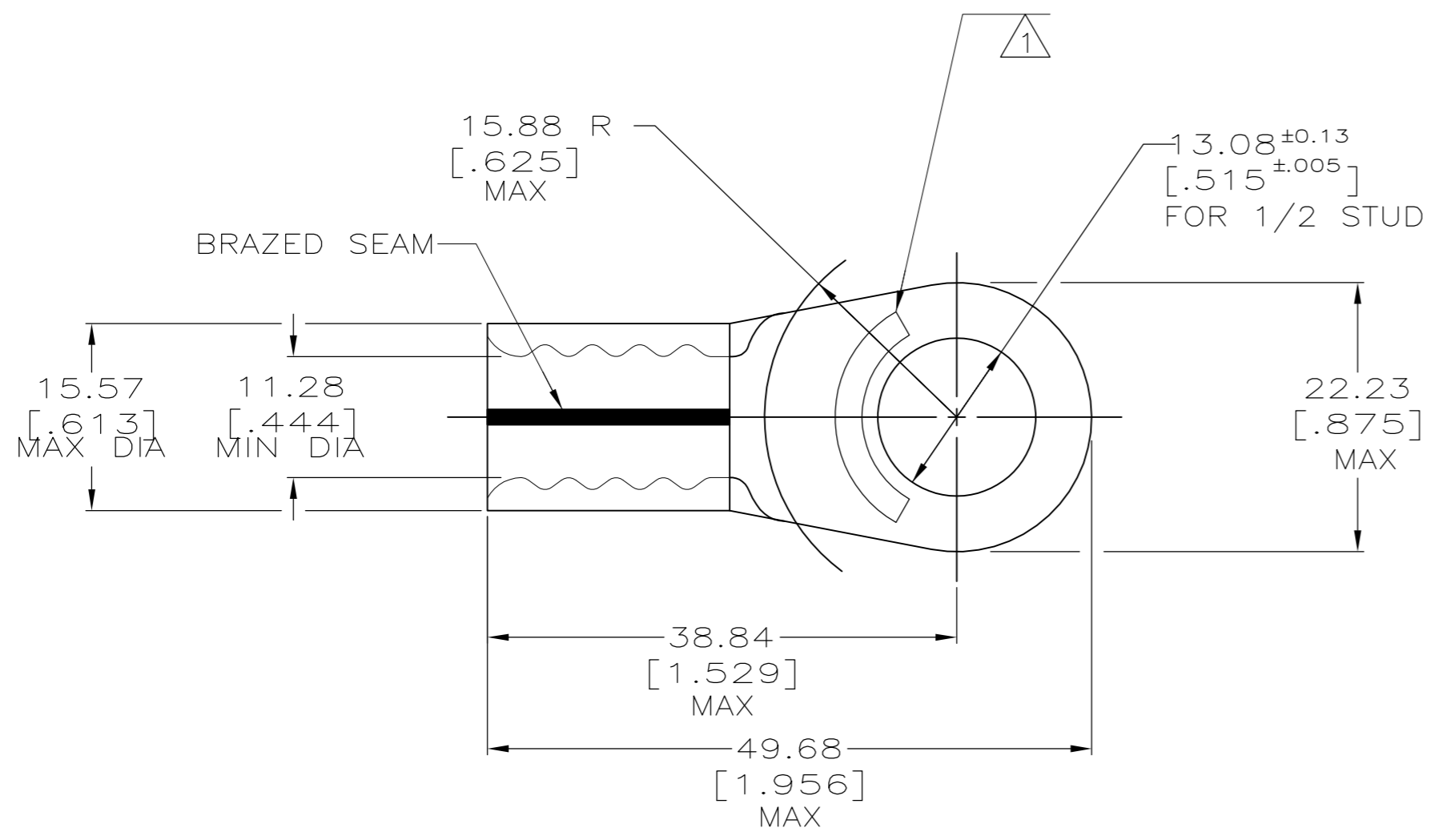


THIS DRAWING IS UNPUBLISHED. RELEASED FOR PUBLICATION  
 © COPYRIGHT BY TYCO ELECTRONICS CORPORATION. ALL RIGHTS RESERVED.

LOC	DIST	REVISIONS			
P	LTR	DESCRIPTION	DATE	DWN	APVD
G	14				
		K1	REVISED PER ECR 07-028456	27NOV07	JR TM

PART NO	PKG TYPE	QTY
8-36919-3	BOX	25
8-36919-5	BAG	5
36919	BOX	50

<b>AMP</b> WIRE RANGE	Listed FILE E13288	LR7189 Certified	MILITARY P/N AND CLASS
1/0 AWG STRANDED	1/0 AWG STRANDED	1/0 AWG STRANDED	MS 20659-135 CLASS 2



- 1 STAMP AMP 1/0W\* APPROX AS SHOWN
- 2 MATERIAL THK IS 1.78±0.08 [.070±.003]
- 3 COPPER PER ASTM B-152, ANNEALED
- 4 TIN PLATE 0.00254 [.000100] MIN THK PER ASTM B-545

36919  
PART NO.

<b>AMP INCORPORATED CUSTOMER SERVICE SYSTEMS</b>		MAX RECOMMENDED OPERATING TEMPERATURE: 170°C MAX
FOR ADDITIONAL PRODUCT INFORMATION OR COPIES OF DRAWINGS AND TECHNICAL DOCUMENTS	PRODUCT INFORMATION CENTER 1-800-522-6752	VOLTAGE RATING: N/A
FOR APPLICATION TOOLING INFORMATION	TOOLING ASSISTANCE CENTER 1-800-722-1111	CIRCULAR MIL AREA: 42.4-60.6mm <sup>2</sup> [83,700-119,500] STRANDED
FOR ORDER ENTRY	1-800-526-5142	THIS DRAWING IS A CONTROLLED DOCUMENT FOR AMP INCORPORATED. IT IS SUBJECT TO CHANGE AND THE CONTROLLING ENGINEERING ORGANIZATION SHOULD BE CONTACTED FOR THE LATEST REVISION.

THIS DRAWING IS A CONTROLLED DOCUMENT.		DWN DK SCHRUM 7/21/91	Tyco Electronics Corporation Harrisburg, PA 17105-3608	
DIMENSIONS: MM [INCHES]		CHK RD HEIM 8/15/91	NAME AJ KAUFMAN 8/15/91	
TOLERANCES UNLESS OTHERWISE SPECIFIED:		APVD AJ KAUFMAN 8/15/91	PRODUCT SPEC —	
0 PLC ± -		APPLICATION SPEC —		
1 PLC ± -		WEIGHT —		
2 PLC ± 0.20[.008]		SIZE A2		
3 PLC ± -		CAGE CODE 00779		
4 PLC ± -		DRAWING NO C=36919		
ANGLES ± -		RESTRICTED TO —		
MATERIAL - 3	FINISH - 4	SCALE 2:1		
CUSTOMER DRAWING		SHEET 1 of 2		
		REV K1		

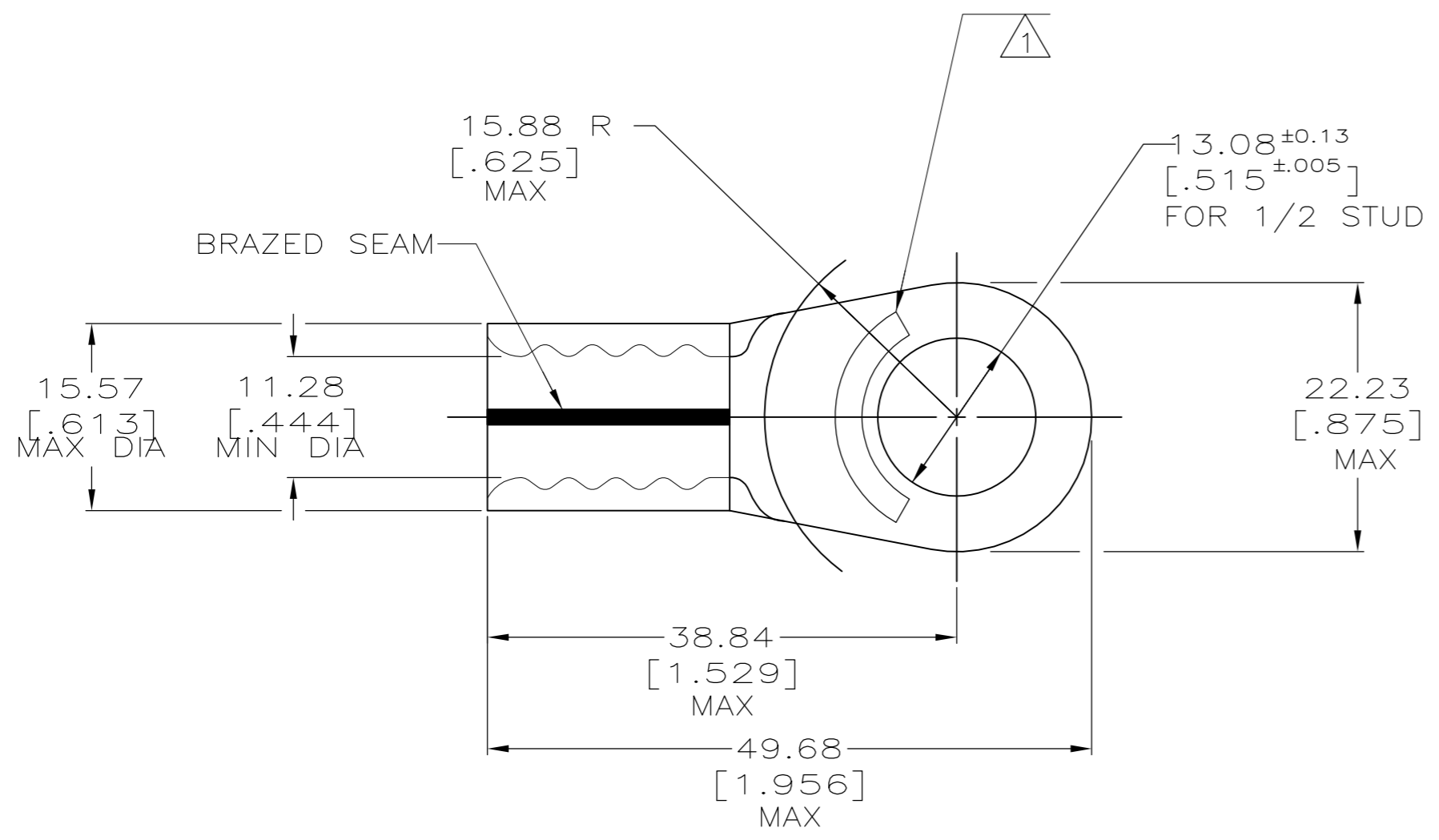
THIS DRAWING IS UNPUBLISHED. RELEASED FOR PUBLICATION  
 © COPYRIGHT BY TYCO ELECTRONICS CORPORATION. ALL RIGHTS RESERVED.

PART NO	PKG TYPE	QTY
36919-1	BOX	50

LOC	DIST	REVISIONS					
G	14	P	LTR	DESCRIPTION	DATE	DWN	APVD
		-		SEE SHEET 1	-	-	-

**AMP**  
WIRE RANGE

1/0 AWG  
SOLID OR STRANDED



- 1 STAMP AMP 1/0W\* APPROX AS SHOWN
- 2 MATERIAL THK IS 1.78±0.08 [.070±.003]
- 3 COPPER PER ASTM B-152, ANNEALED
- 4 NICKEL PLATE 0.00762 [.000300] MIN THK PER QQ-N-290

36919-1  
PART NO.

<b>AMP INCORPORATED CUSTOMER SERVICE SYSTEMS</b>		MAX RECOMMENDED OPERATING TEMPERATURE: 343°C MAX
FOR ADDITIONAL PRODUCT INFORMATION OR COPIES OF DRAWINGS AND TECHNICAL DOCUMENTS	PRODUCT INFORMATION CENTER 1-800-522-6752	VOLTAGE RATING: N/A
FOR APPLICATION TOOLING INFORMATION	TOOLING ASSISTANCE CENTER 1-800-722-1111	CIRCULAR MIL AREA: 42.4-60.6mm² [83,700-119,500] SOLID OR STRANDED
FOR ORDER ENTRY	1-800-526-5142	THIS DRAWING IS A CONTROLLED DOCUMENT FOR AMP INCORPORATED. IT IS SUBJECT TO CHANGE AND THE CONTROLLING ENGINEERING ORGANIZATION SHOULD BE CONTACTED FOR THE LATEST REVISION.

THIS DRAWING IS A CONTROLLED DOCUMENT.		DWN DK SCHRUM 7/21/91	Tyco Electronics Corporation Harrisburg, PA 17105-3608	
DIMENSIONS: MM [INCHES]		CHK RD HEIM 8/15/91		
TOLERANCES UNLESS OTHERWISE SPECIFIED:		APVD AJ KAUFMAN 8/15/91	NAME	
0 PLC ± -		PRODUCT SPEC	TERMINAL, RING TONGUE, HEAT RESISTANT STRATO-THERM	
1 PLC ± -		APPLICATION SPEC	SIZE CAGE CODE DRAWING NO RESTRICTED TO	
2 PLC ± 0.20[.008]		WEIGHT -	A2 00779 C-36919 -	
3 PLC ± -		CUSTOMER DRAWING	SCALE 2:1 SHEET 2 of 2 REV K1	
4 PLC ± -				
ANGLES ± -				
MATERIAL - 3	FINISH - 4			